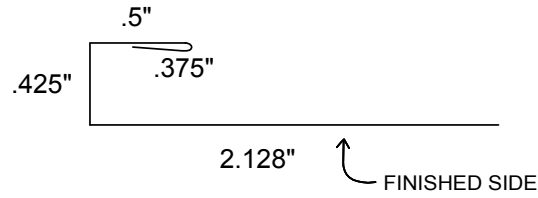


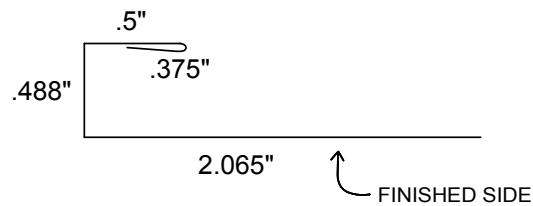


5/16" & 3/8" FIBER CEMENT SIDING

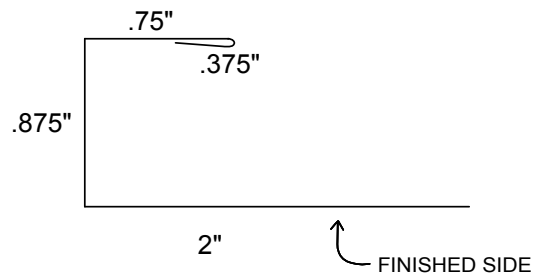
1 - Standard 5/16" J Channel



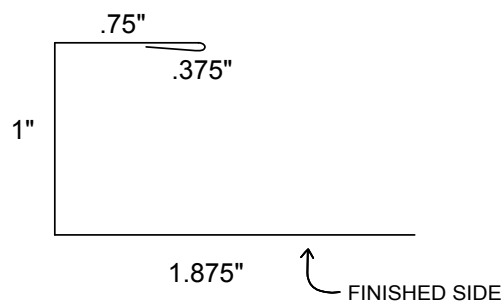
1B - Standard 3/8" J Channel



1C - J Channel - 5/16" Lap Siding



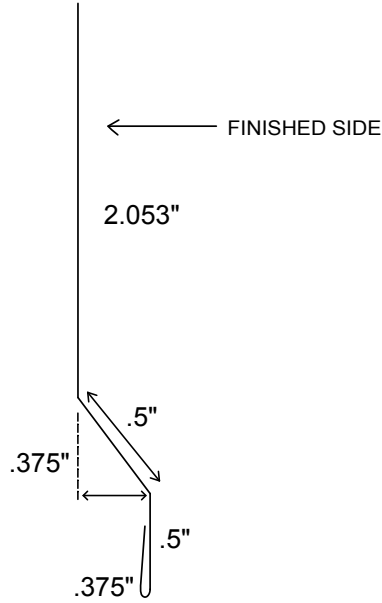
1D - J Channel - 3/8" Lap Siding



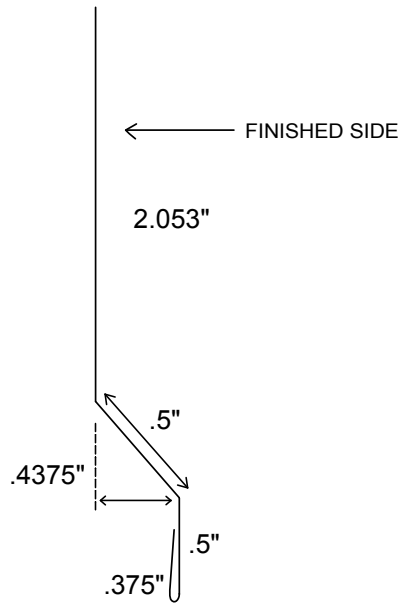


5/16" & 3/8" FIBER CEMENT SIDING

2 - Standard 5/16" Z Flashing



2B - Standard 3/8 inch Z Flashing



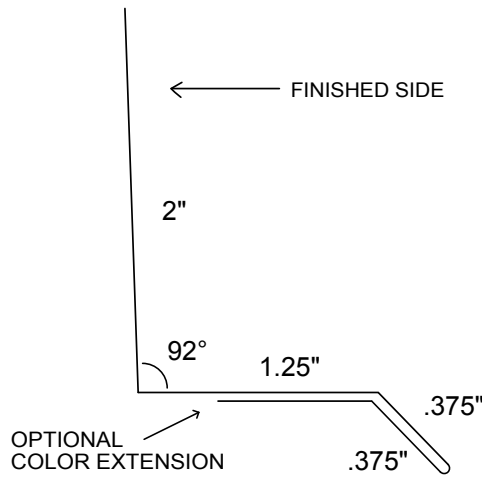


5/16" & 3/8" FIBER CEMENT SIDING

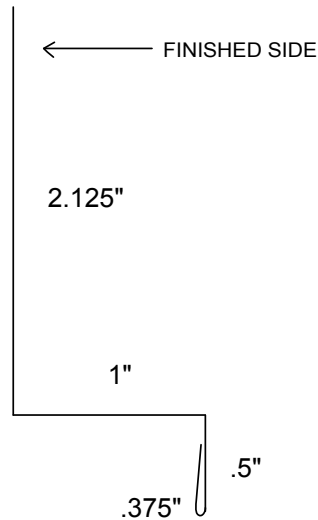
3 - Standard Window Flashing



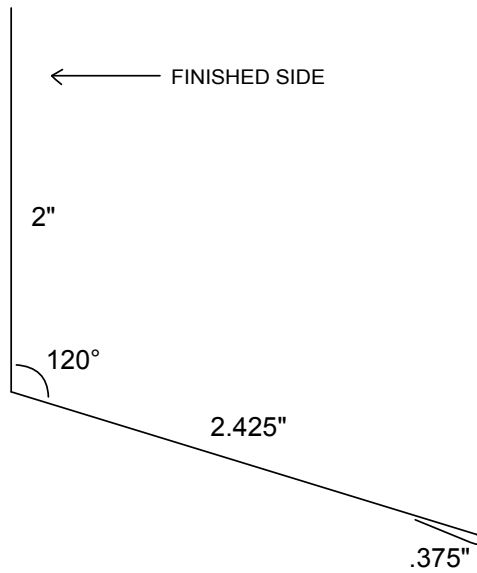
3B - Standard Window Flashing



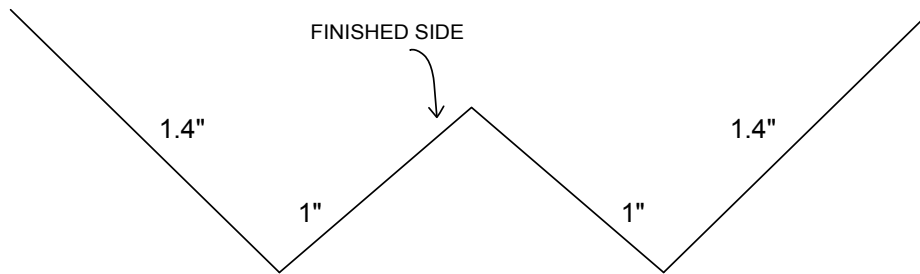
4 - 1" XLD Flashing



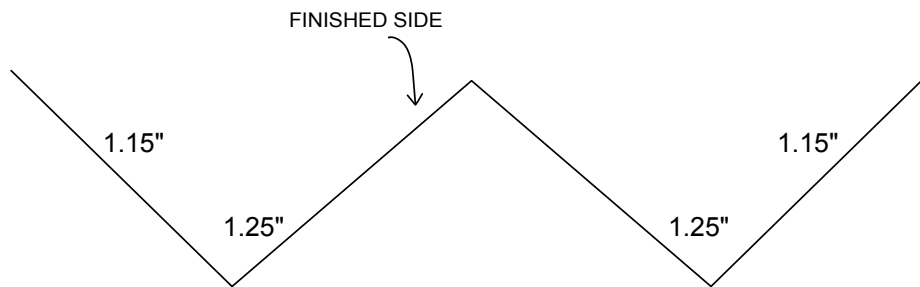
5 - Brick Flashing



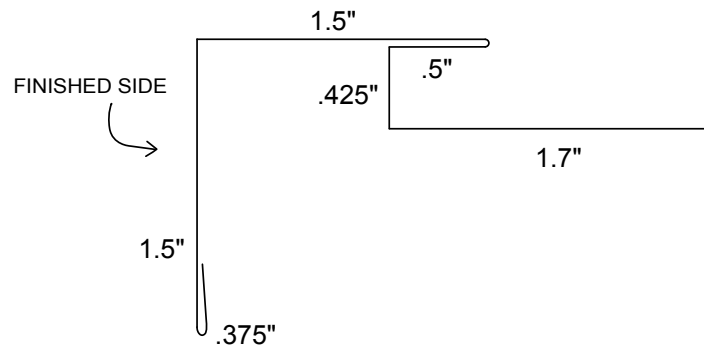
6 - Inside Corner



6B - Inside Corner



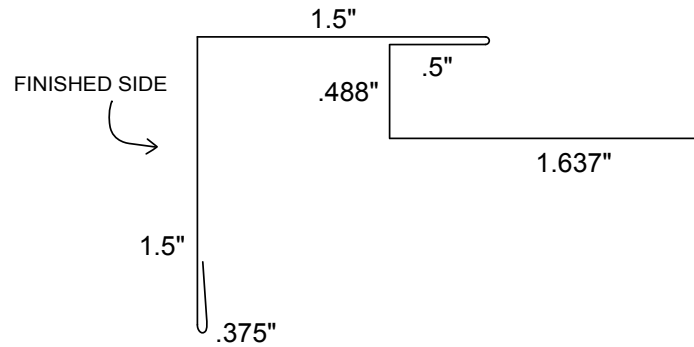
7 - 5/16" Outside Corner



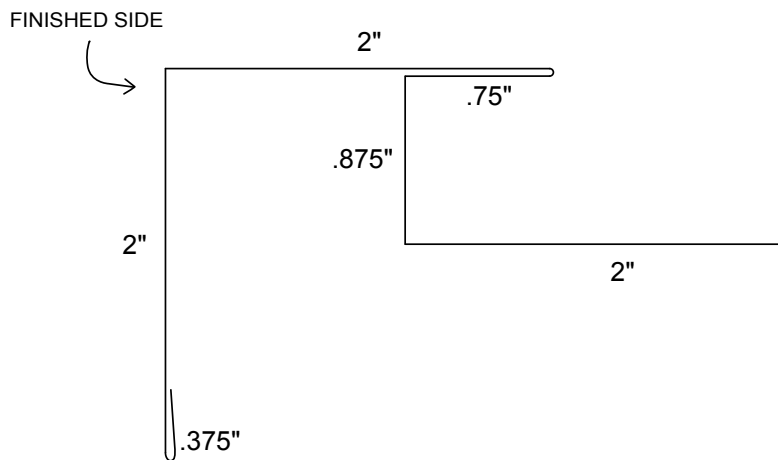


5/16" & 3/8" FIBER CEMENT SIDING

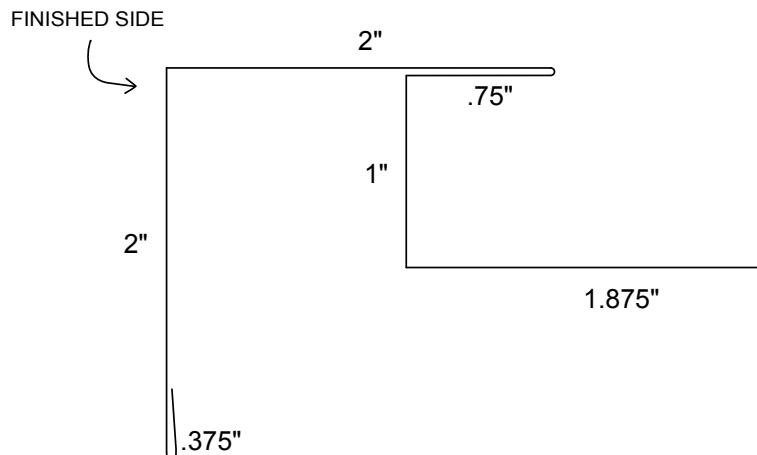
7B - 3/8" Outside Corner

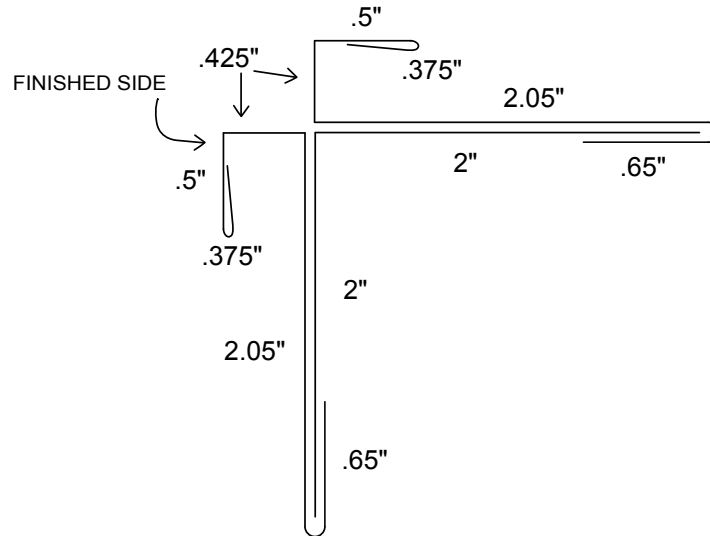
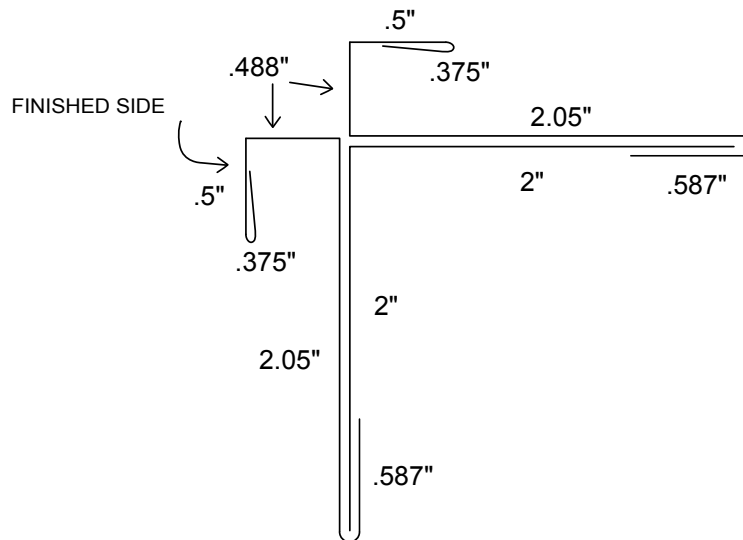


7C - Outside Corner - 5/16" Lap Siding



7D - Outside Corner - 3/8" Lap Siding

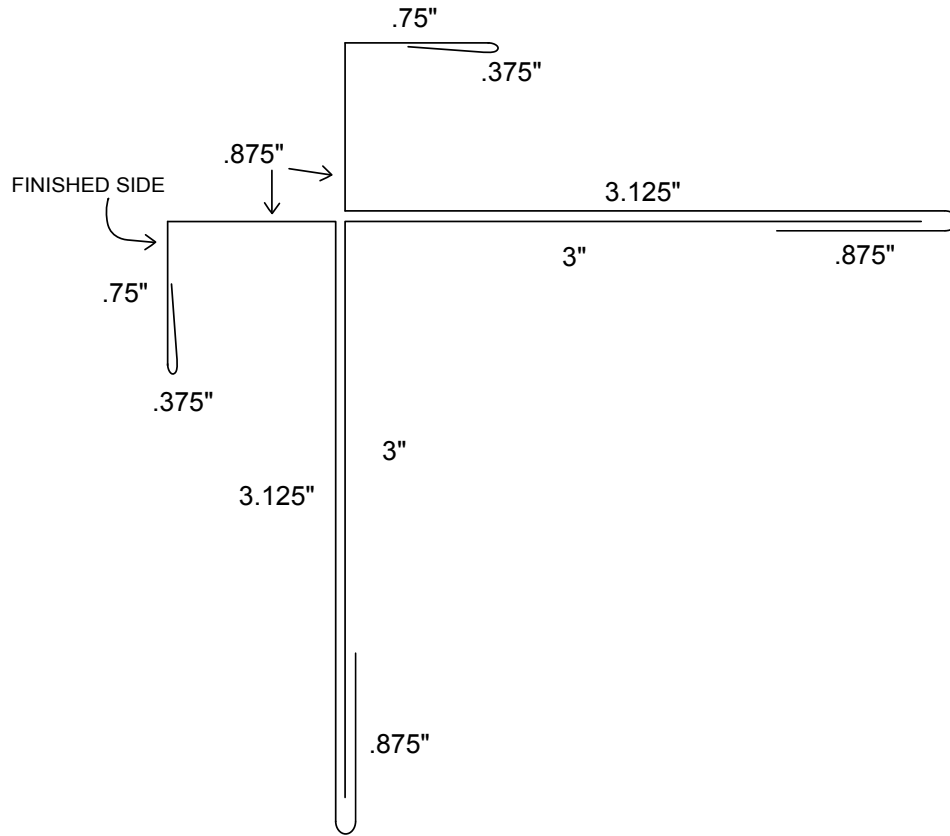


8 - J Channel Corner 5/16"**8B - J Channel Corner 3/8"**

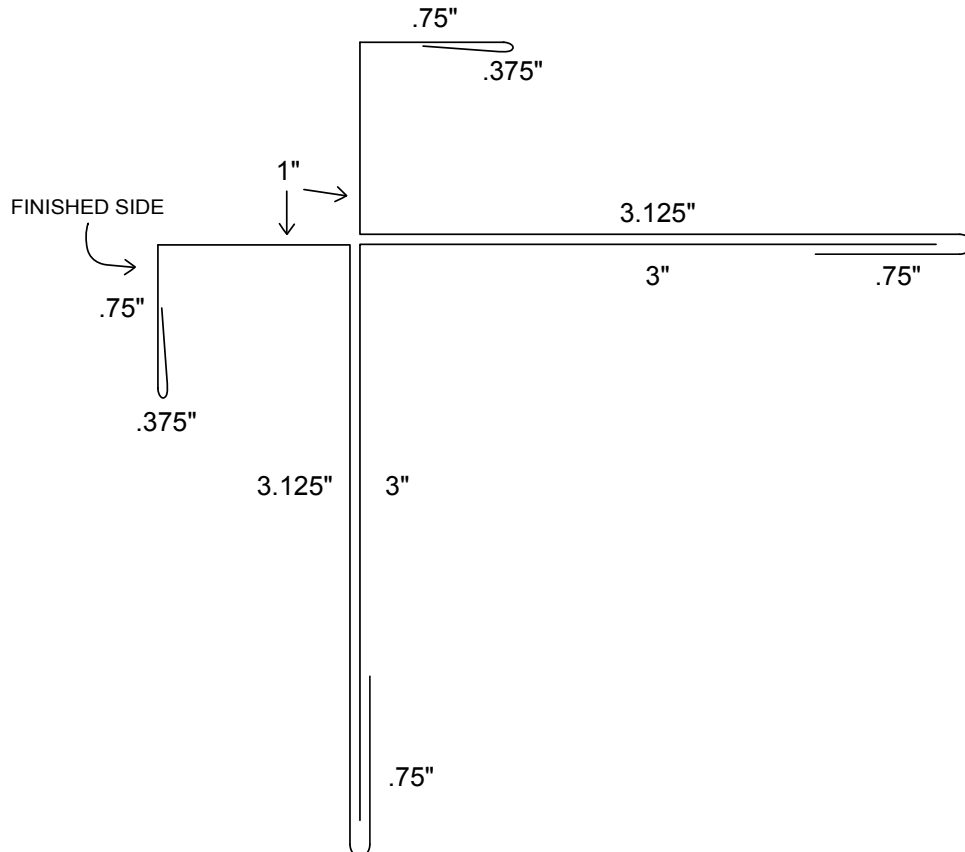


5/16" & 3/8" FIBER CEMENT SIDING

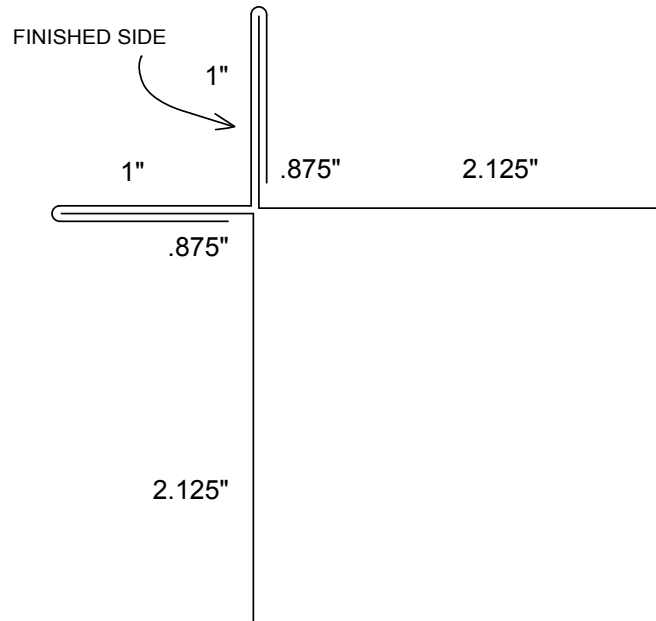
8C - J Channel Corner - 5/16" Lap Siding



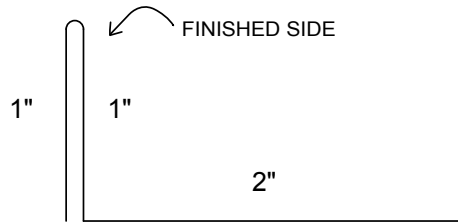
8D - J Channel Corner - 3/8" Lap Siding



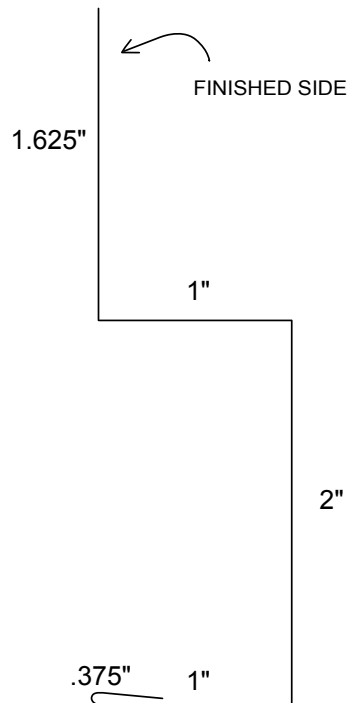
9 - X Corner



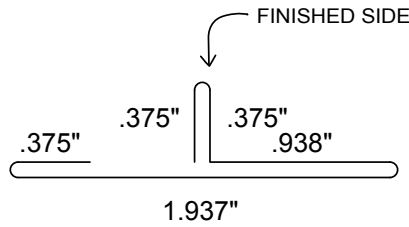
10 - L Flashing



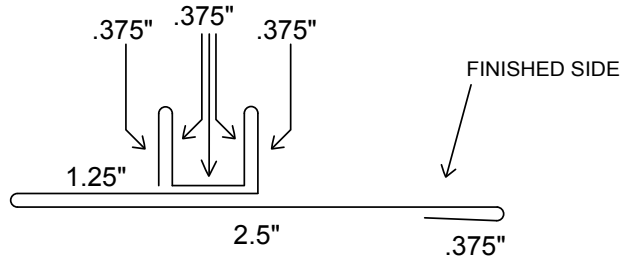
11 - Wall Base Flashing



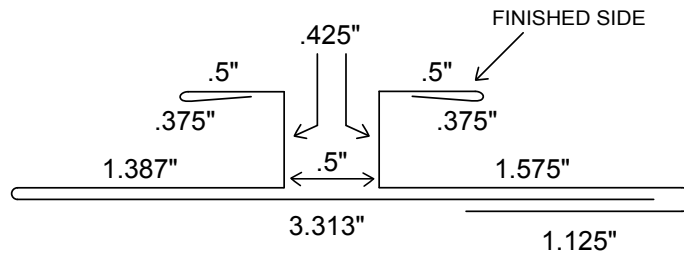
12 - T Profile



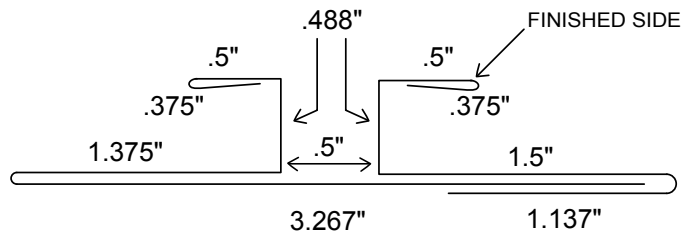
13 - Stucco Bead



14 - Double J Bead 5/16" Panel



14B - Double J Bead 3/8" Panel





5/16" & 3/8" FIBER CEMENT SIDING

- Custom profiles
- EDCO steel material standard & acceptable for field painting
- EDCO aluminum material optional
- Norandex aluminum material optional
 - Color match to James Hardie® & LP® siding
- Woodgrain and special texture
- 24GA Kynar 500® material optional