



(612)-819-2477

ACSMN.COM

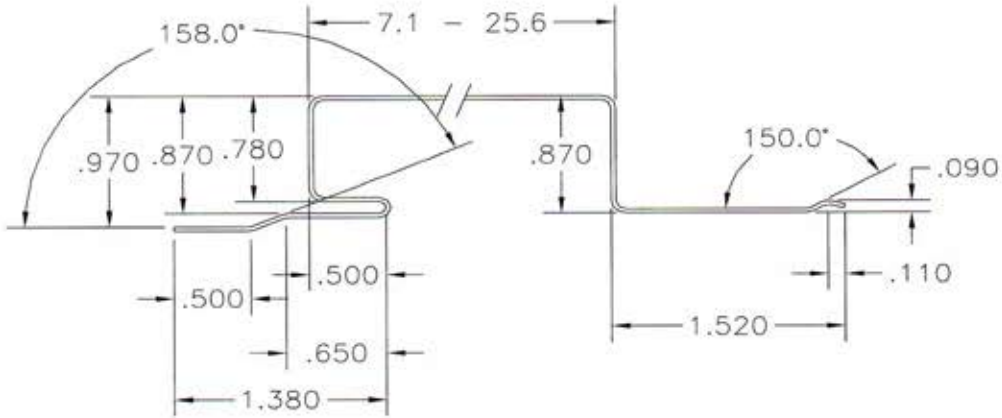
Machine Specifications	
Capacity Steel	22 ga CRS, 58,000 PSI
Capacity Aluminum	.032"
Capacity Copper	20 oz
Capacity Zinc	.040"
Minimum Capacity	26 ga CRS, 58,000 PSI
Line Speed	65 ft per minute
Electrical Requirements	230 v, 1 phase, 60 hertz
Length with Decoiler	160"
Height	50"
Width	60"
<b>Machine weights</b>	
Quadro w/ cassettes	3,500 lbs

Minimum Panel Length—Nail Strip	36"
Minimum Panel Length—Snap Seam	24"
Minimum Panel Length—Mechanical	24"

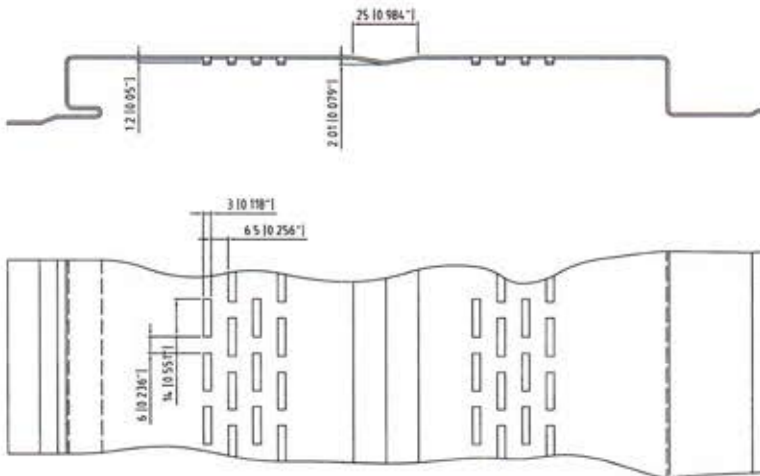
Minimum Panel Width	10"
Maximum Panel Width	28"

Panel Slopes		
Panel	Minimum Slope	Material Drop
1" Snap Seam	3:12	3.00"
1.5" Snap Seam	1.5:12	4.50"
1" Nail Strip	3:12	4.25"
1.5" Nail Strip	1.5:12	5.25"
1" Mechanical	3:12	2.75"
1.5" Mechanical	1.5:12	3.75"
1" U-Panel	3:12	2"
1.5" U-Panel	1.5:12	3"
2" Mechanical	3/4:12	5.25"
1" soffit (no reveal)	N/A	3.75"
1" soffit (max reveal)	N/A	4.75"
1.75" Snap Lock	3/4:12	6.00"

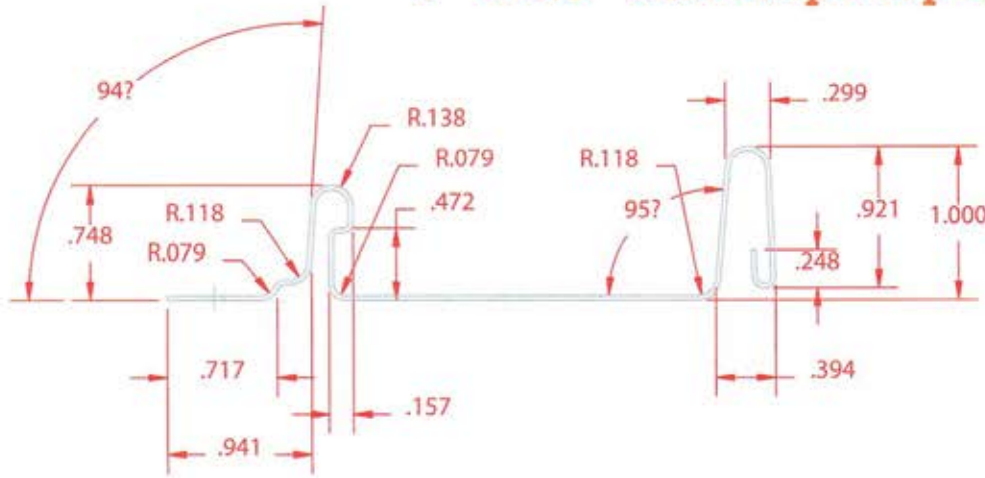
## 1" Soffit & Wall Panel



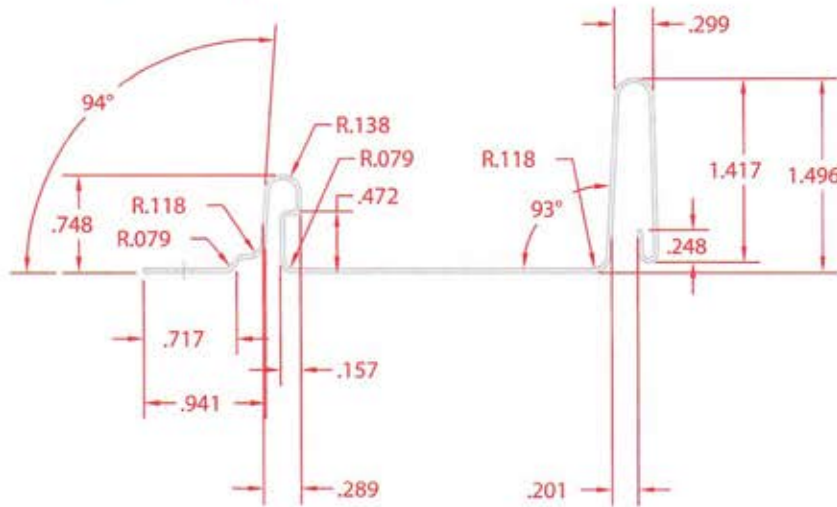
- Concealed direct fastened system for wall, soffit, fascia or linear applications.
- 8 to 24 inch panel coverage. Gauges: 22ga, 24ga, 26ga and 0.32 aluminum.
- Applies over open framing or solid substrate.
- Optional stiffening ribs are available.
- Optional venting is available.



## 1" & 1.5" Nail Strip Snap Lock



- Architectural standing seam panel.
- 1.0" rib height.
- Gauges 24, 26
- Screw fastening through slotted hole for limited thermal movement.
- Fastest panel in the market for installation.



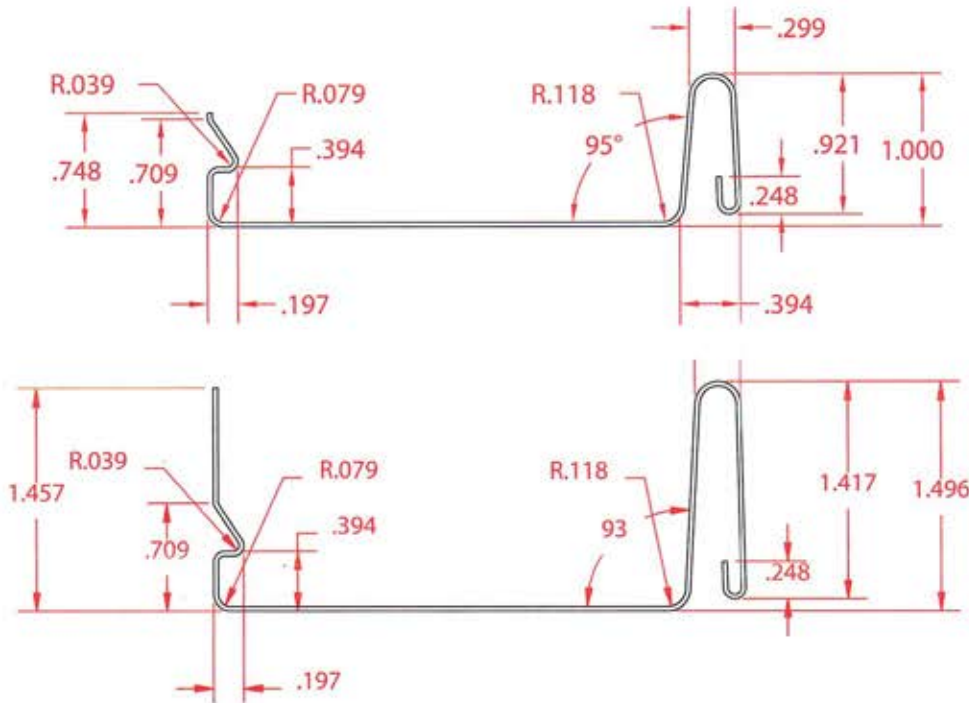
- Architectural or structural standing seam panel.
- 1.5" rib height.
- Gauges 22, 24, 26
- Screw fastening through slotted hole for limited thermal movement.
- Applies over open purlin or solid substrate.
- Fastest panel in the market for installation.

### FLORIDA PRODUCT APPROVAL

Designation	FPA #	Panel Profile	Material	Panel Width	Substrate
Non-HVHZ	8629.1	1.0" Nail Strip	Steel, 24ga	16" Nominal	Plywood
HVHZ	9193.3	1.5" Nail Strip	Steel, 24ga	16" Nominal	Plywood

Panel	Type	Test Type	Width	Gauge	Fastener Spacing	Decking
1" Nail	Wind Uplift Class 90	UL Construction Number 600	16	24 CRS	16	1/2 Plywood
1.5" Nail Strip	Flexural Strength	ASTM 330	12	24 CRS	12	Purlins 16 ga
1.5" Nail Strip	Wind Uplift	Dade 80 MPH	15	24 CRS	12	1/2 Plywood
1.5" Nail Strip	Wind Uplift	Dade 140 MPH	15	24 CRS	12	5/8 Plywood
1.5" Nail Strip	Hail	UL Class 4	15	24 CRS	18	5/8 Plywood
1.5" Nail Strip	Impact	Dade Impact	15	24 CRS	18	5/8 Plywood
1.5" Nail Strip	Hail	UL Class 4	15	26 CRS	18	5/8 Plywood
1.5" Nail Strip	Water	Dade Wind Driven Rain	16	24 CRS	18	5/8 Plywood
1.5" Nail Strip	Wind Uplift	ASTM 1592	12	24 CRS	12	Purlins 16 ga
1.5" Nail Strip	Wind Uplift Class 90	UL Construction Number 587	14.5	24 CRS	18	5/8 Plywood
1.5" Nail Strip	Wind Uplift Class 90	UL Construction Number 601	3/16	22 CRS	12	5/8 Plywood

## 1" & 1.5" Snap Seam



- Architectural sheet metal.
- Gauges 22, 24, 26 ga.
- Clip fastening designed for thermal expansion.

- Architectural & structural sheet metal panel.
- Gauges 22, 24, 26.
- Clip fastening designed for thermal expansion and contraction.
- Applies over open purlins or solid substrate.

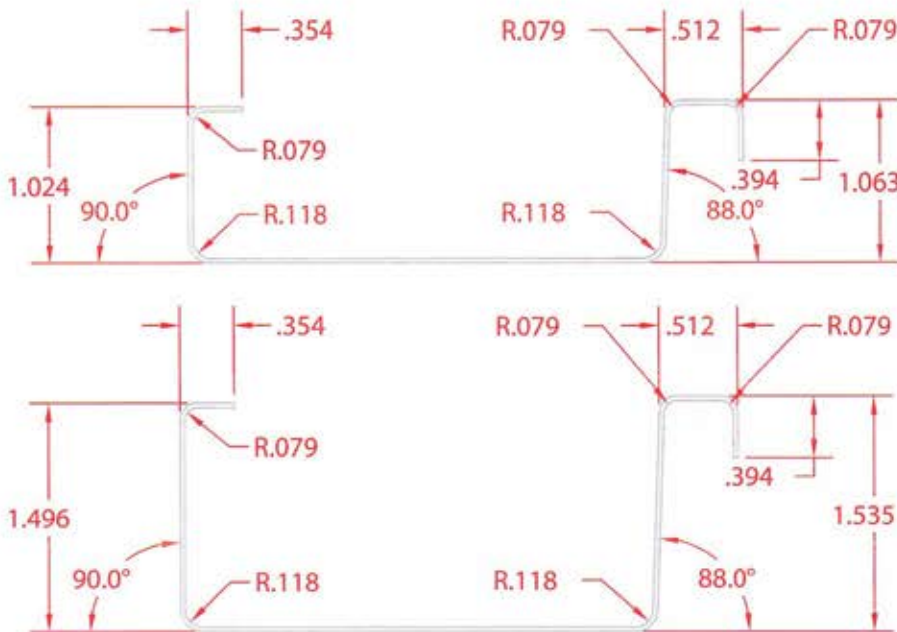
### FLORIDA PRODUCT APPROVAL

Designation	FPA #	Panel Profile	Material	Panel Width	Substrate
HVHZ	9193.2	1.0" Snap Lock	Steel, 24ga	16" Nominal	Plywood
HVHZ	8629.3	1.5" Snap Lock	Steel, 24ga	16" Nominal	Plywood

Panel	Type	Test Type	Width	Gauge	Fastener Spacing	Decking
1" Snap Seam	Wind Uplift Class 90	UL Construction Number 600	16	24 CRS	16	1/2 Plywood
1.5" Snap Seam	Impact	Dade Impact	15	24 CRS	36	5/8 Plywood
1.5" Snap Seam	Wind Uplift	Dade 90 MPH	16	24 CRS	36	1/2 Plywood
1.5" Snap Seam	Hail	UL Class 4	16	24 CRS	36	5/8 Plywood
1.5" Snap Seam	Water Infiltration	ASTM 331	16	24 CRS	36	5/8 Plywood
1.5" Snap Seam	Water	Dade Wind Driven Rain	16	24 CRS	36	5/8 Plywood
1.5" Snap Seam	Air Infiltration	ASTM 283	16	24 CRS	36	Purlins 16 ga
1.5" Snap Seam	Flexural Strength	ASTM 330	16	24 CRS	36	Purlins 16 ga
1.5" Snap Seam	Wind Uplift	Dade 140 MPH	16	24 CRS	48	5/8 Plywood
1.5" Snap Seam	Hail	UL Class 4	16	26 CRS	36	5/8 Plywood
1.5" Snap Seam	Wind Uplift Class 90	UL Construction Number 589	16	24 CRS	36	5/8 Plywood
1.5" Snap Seam	Wind Uplift	ASTM E 1592	19.625	.040 AL	24 & 60	Open Purlin

\*\*All testing listed above is per the specific assembly shown. Any variance in said assembly will nullify the results and are not valid\*\*

## 1" & 1.5" Mechanical Lock Panel



- Architectural standing seam panel
- 1 inch rib height.
- Gauges 22, 24, 26
- Specially designed clip for thermal movement.

- Architectural or structural standing seam panel
- 1.5 inch rib height.
- Gauges 22, 24, 26
- Specially designed clip for thermal movement.
- Applies over solid substrate

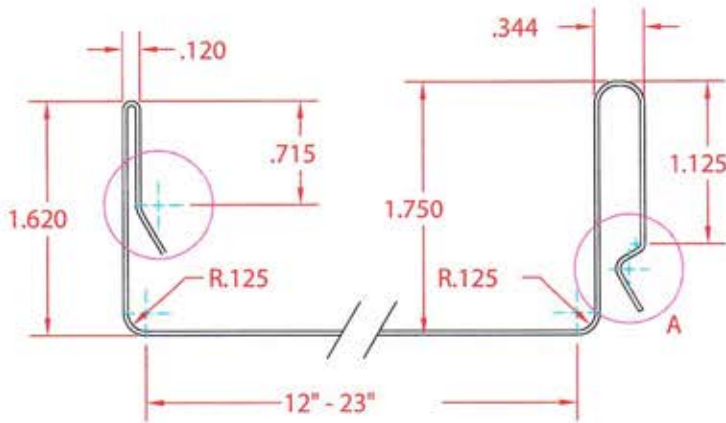
### FLORIDA PRODUCT APPROVAL

Designation	FPA #	Panel Profile	Material	Panel Width	Substrate
HVHZ*	9193.1	1.0" Mech. Lock	Steel, 24ga	16" Nominal	Plywood
HVHZ	9580.1	1.0" Mech. Lock	Alum., .032	16" Nominal	Plywood
HVHZ	8629.2	1.5" Mech. Lock	Steel, 24ga	16" Nominal	Plywood
Non-HVHZ	9857.4	1.5" Mech. Lock	Alum., .032	20"	Plywood
Non-HVHZ	9857.5	1.5" Mech. Lock	Copper, 16oz.	16"	Plywood
Non-HVHZ	9857.6	1.5" Mech. Lock	Zinc, .032	16"	Plywood

Panel	Type	Test Type	Width	Gauge	Fastener Spacing	Decking
1.5" Mechanical	Air Infiltration	ASTM 283	16	24 CRS	36	5/8 Plywood
1.5" Mechanical	Water Infiltration	ASTM 331	16	24 CRS	36	5/8 Plywood
1.5" Mechanical	Wind Uplift Class 90	UL Construction Number 603	20	.032 Zinc	36	5/8 Plywood
1.5" Mechanical	Wind Uplift Class 90	UL Construction Number 603	16	.032 Zinc	36	5/8 Plywood
1.5" Mechanical	Wind Uplift Class 90	UL Construction Number 605	16	16 oz CU	36	5/8 Plywood
1.5" Mechanical	Wind Uplift	Dade 80 MPH	16	24 CRS	36	1/2 Plywood
1.5" Mechanical	Wind Uplift	Dade 140 MPH	16	24 CRS	36	5/8 Plywood
1.5" Mechanical	Impact	Dade Impact	16	24 CRS	36	5/8 Plywood
1.5" Mechanical	Water	Dade Wind Driven Rain	16	24 CRS	36	5/8 Plywood
1.5" Mechanical	Wind Uplift Class 90	UL Construction Number 588	16	24 CRS	36	5/8 Plywood
1.5" Mechanical	Wind Uplift Class 90	UL Construction Number 588	16	24 CRS	36	5/8 Plywood
1.5" Mechanical	Hail	UL Class 4	16	26 CRS	36	5/8 Plywood
1.5" Mechanical	Hail	UL Class 4	16	24 CRS	36	5/8 Plywood
1.5" Mechanical	Wind Uplift	ASTM 1592	18.25	22 CRS	36	Purlins 16 ga
1.5" Mechanical	Flexural Strength	ASTM 330	18.25	22 CRS	36	Purlins 16 ga
1.5" Mechanical	Wind Uplift	ASTM 1592	18.25	24 CRS	36	Purlins 16 ga
1.5" Mechanical	Flexural Strength	ASTM 330	18.25	24 CRS	36	Purlins 16 g

\*\*All testing listed above is per the specific assembly shown. Any variance in said assembly will nullify the results and are not valid\*\*

## 1.75" Snap Seam



- 1 3/4 Inch Snap Lock Panel
- Architectural or structural standing seam panel.
- 1 3/4 inch rib height.
- Gauges 22, 24, 26
- Panel Coverage from 8 to 24.5 inches.
- Specially designed clip for thermal movement.
- Applies over open purlin or solid substrate.

FLORIDA PRODUCT APPROVAL					
Designation	FPA #	Panel Profile	Material	Panel Width	Substrate
HVHZ	10240.1	1.75" Snap Lock	Steel, 24ga	18" Nominal	Metal "B" Deck
Non-HVHZ	5801.1	1.75" Snap Lock	Steel, 22ga	12"	Open Framing
Non-HVHZ	5801.2	1.75" Snap Lock	Steel, 22ga	16"	Open Framing
Non-HVHZ	5801.3	1.75" Snap Lock	Steel, 22ga	18"	Open Framing
Non-HVHZ	5801.4	1.75" Snap Lock	Steel, 24ga	12"	Open Framing
Non-HVHZ	5801.5	1.75" Snap Lock	Steel, 24ga	16"	Open Framing
Non-HVHZ	5801.6	1.75" Snap Lock	Steel, 24ga	18" Nominal	Open Framing
Non-HVHZ	6140.1	1.75" Snap Lock	Steel, 24ga	18" Nominal	Metal "B" Deck
Non-HVHZ	6140.2	1.75" Snap Lock	Steel, 24ga	18" Nominal	Plywood

Panel	Type	Test Type	Width	Gauge	Fastener Spacing	Decking
1.75" Snap Seam	Wind Uplift Class 90	UL Construction Number 447	10	22 CRS	60	Purlins 16 ga
1.75" Snap Seam	Wind Uplift Class 90	UL Construction Number 343	10	24 CRS	36	19/32 Plywood
1.75" Snap Seam	Wind Uplift Class 90	UL Construction Number 343	10	24 CRS	36	5/8 Gypsum
1.75" Snap Seam	Wind Uplift Class 90	UL Construction Number 508A	10	24 CRS	36	Densdeck 1/2"
1.75" Snap Seam	Wind Uplift Class 90	UL Construction Number 508A	10	24 CRS	36	Metal Deck 22 ga
1.75" Snap Seam	Wind Uplift Class 90	UL Construction Number 508A	10	24 CRS	36	Purlins 16 ga
1.75" Snap Seam	Wind Uplift Class 90	UL Construction Number 342	10	24 CRS	48	1/2 Gypsum
1.75" Snap Seam	Wind Uplift Class 90	UL Construction Number 447	10	24 CRS	48	Purlins 16 ga
1.75" Snap Seam	Wind Uplift Class 90	UL Construction Number 508A	10	.032 Al	36	Densdeck 1/2"
1.75" Snap Seam	Wind Uplift Class 90	UL Construction Number 508A	10	.032 Al	36	Metal Deck 22 ga
1.75" Snap Seam	Wind Uplift Class 90	UL Construction Number 447	10	.032 Al	36	Purlins 16 ga
1.75" Snap Seam	Wind Uplift Class 90	UL Construction Number 508A	10	.032 Al	36	Purlins 16 ga
1.75" Snap Seam	Wind Uplift Class 90	UL Construction Number 303	10	.032 Al	36	5/8 Gypsum
1.75" Snap Seam	Wind Uplift Class 90	UL Construction Number 253	10	24 CRS	48	Purlins 16 ga
1.75" Snap Seam	Wind Uplift Class 90	UL Construction Number 261	10.5	.032 Al	36	Purlins 16 ga
1.75" Snap Seam	Wind Uplift Class 60	UL Construction Number 261	10.5	.032 Al	48	Purlins 16 ga
1.75" Snap Seam	Wind Uplift Class 90	UL Construction Number 261	10.5	22 CRS	60	Purlins 16 ga

\*\*All testing listed above is per the specific assembly shown. Any variance in said assembly will nullify the results and are not valid\*\*

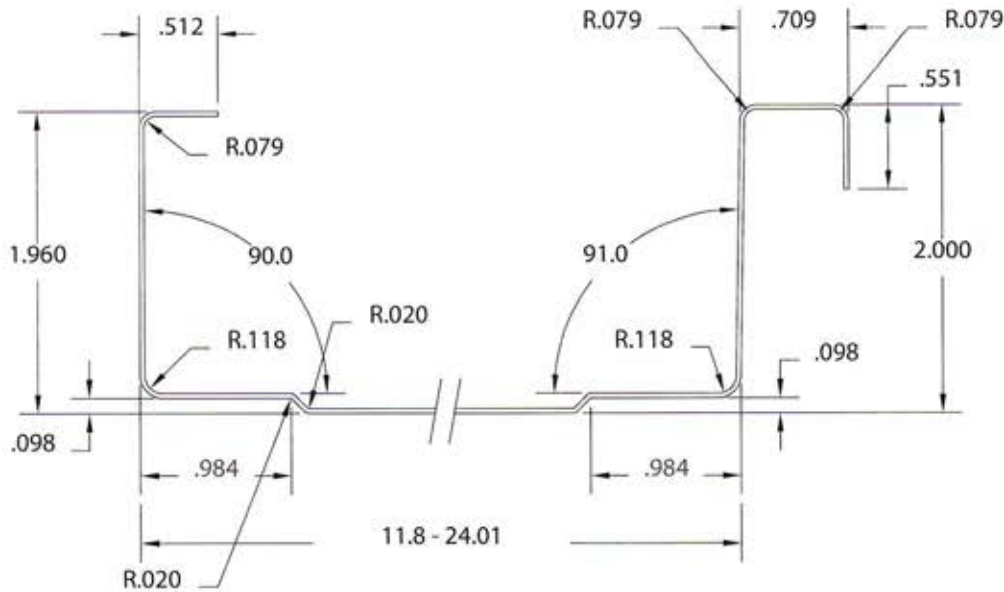


(612)-819-2477  
 ACSMN.COM

Panel	Type	Test Type	Width	Gauge	Fastener Spacing	Decking
1.75" Snap Seam	Wind Uplift Class 60	UL Construction Number 261	10.5	24 CRS	48	Purlins 16 ga
1.75" Snap Seam	Wind Uplift Class 90	UL Construction Number 445	12	22 CRS	60	Purlins 16 ga
1.75" Snap Seam	Wind Uplift Class 90	UL Construction Number 543	12	22 CRS	60	Purlins 16 ga
1.75" Snap Seam	Wind Uplift Class 90	UL Construction Number 343	12	24 CRS	36	19/32 Plywood
1.75" Snap Seam	Wind Uplift Class 90	UL Construction Number 343	12	24 CRS	36	5/8 Gypsum
1.75" Snap Seam	Wind Uplift Class 90	UL Construction Number 508A	12	24 CRS	36	Densdeck 1/2"
1.75" Snap Seam	Wind Uplift Class 90	UL Construction Number 508A	12	24 CRS	36	Metal Deck 22 ga
1.75" Snap Seam	Wind Uplift Class 90	UL Construction Number 508A	12	24 CRS	36	Purlins 16 ga
1.75" Snap Seam	Wind Uplift Class 90	UL Construction Number 445	12	24 CRS	48	Purlins 16 ga
1.75" Snap Seam	Wind Uplift Class 90	UL Construction Number 508A	12	.032 Al	36	Densdeck 1/2"
1.75" Snap Seam	Wind Uplift Class 90	UL Construction Number 508A	12	.032 Al	36	Metal Deck 22 ga
1.75" Snap Seam	Wind Uplift Class 90	UL Construction Number 508A	12	.032 Al	36	Purlins 16 ga
1.75" Snap Seam	Wind Uplift Class 90	UL Construction Number 254	12	22 CRS	60	Purlins 16 ga
1.75" Snap Seam	Wind Uplift Class 90	UL Construction Number 254	12	24 CRS	48	Purlins 16 ga
1.75" Snap Seam	Wind Uplift Class 90	UL Construction Number 508A	16	24 CRS	36	Densdeck 1/2"
1.75" Snap Seam	Wind Uplift Class 90	UL Construction Number 508A	16	24 CRS	36	Metal Deck 22 ga
1.75" Snap Seam	Wind Uplift Class 90	UL Construction Number 508A	16	24 CRS	36	Purlins 16 ga
1.75" Snap Seam	Wind Uplift Class 90	UL Construction Number 508	16	.032 Al	18	19/32 Plywood
1.75" Snap Seam	Wind Uplift Class 90	UL Construction Number 508A	16	.032 Al	36	Densdeck 1/2"
1.75" Snap Seam	Wind Uplift Class 90	UL Construction Number 508A	16	.032 Al	36	Metal Deck 22 ga
1.75" Snap Seam	Wind Uplift Class 90	UL Construction Number 508A	16	.032 Al	36	Purlins 16 ga
1.75" Snap Lock	Wind Uplift	ASTM 1592	16	.032 Al	36	5/8 Plywood
1.75" Snap Seam	Hail	UL Class 4	16	24 CRS	36	5/8 Plywood
1.75" Snap Lock	Wind Uplift	ASTM 1592	16	24 CRS	36	5/8 Plywood
1.75" Snap Seam	Wind Uplift Class 90	UL Construction Number 342	18	24 CRS	48	5/8 Plywood
1.75" Snap Seam	Wind Uplift Class 90	UL Construction Number 446	18	22 CRS	48	Purlins 16 ga
1.75" Snap Seam	Wind Uplift Class 90	UL Construction Number 565	18	22 CRS	60	32 inch Fibroplank
1.75" Snap Seam	Wind Uplift Class 60	UL Construction Number 543	18	22 CRS	60	Purlins 16 ga
1.75" Snap Seam	Wind Uplift Class 90	UL Construction Number 343	18	24 CRS	36	19/32 Plywood
1.75" Snap Seam	Wind Uplift Class 90	UL Construction Number 414	18	24 CRS	36	19/32 Plywood
1.75" Snap Seam	Wind Uplift Class 90	UL Construction Number 343	18	24 CRS	36	5/8 Gypsum
1.75" Snap Seam	Wind Uplift Class 90	UL Construction Number 448	18	24 CRS	36	5/8 Gypsum
1.75" Snap Seam	Wind Uplift Class 90	UL Construction Number 436	18	24 CRS	36	5/8 OSB
1.75" Snap Seam	Wind Uplift Class 90	UL Construction Number 436	18	24 CRS	36	5/8 Plywood
1.75" Snap Seam	Wind Uplift Class 90	UL Construction Number 448	18	24 CRS	36	7/16 OSB
1.75" Snap Seam	Wind Uplift Class 90	UL Construction Number 486	18	24 CRS	36	Densdeck 1/2"
1.75" Snap Seam	Wind Uplift Class 90	UL Construction Number 508A	18	24 CRS	36	Densdeck 1/2"
1.75" Snap Seam	Wind Uplift Class 90	UL Construction Number 448	18	24 CRS	36	Metal Deck 22 ga
1.75" Snap Seam	Wind Uplift Class 90	UL Construction Number 486	18	24 CRS	36	Metal Deck 22 ga
1.75" Snap Seam	Wind Uplift Class 90	UL Construction Number 508A	18	24 CRS	36	Metal Deck 22 ga
1.75" Snap Seam	Wind Uplift Class 90	UL Construction Number 486	18	24 CRS	36	Purlins 16 ga
1.75" Snap Seam	Wind Uplift Class 90	UL Construction Number 508A	18	24 CRS	36	Purlins 16 ga
1.75" Snap Seam	Wind Uplift Class 90	UL Construction Number 446	18	24 CRS	48	Purlins 16 ga
1.75" Snap Seam	Wind Uplift Class 90	UL Construction Number 565	18	24 CRS	60	32 inch Fibroplank
1.75" Snap Seam	Wind Uplift Class 90	UL Construction Number 543	18	24 CRS	60	Purlins 16 ga
1.75" Snap Seam	Wind Uplift Class 90	UL Construction Number 303	18	.032 Al	36	5/8 Gypsum
1.75" Snap Seam	Wind Uplift Class 90	UL Construction Number 303	18	.032 Al	36	7/16 OSB
1.75" Snap Seam	Wind Uplift Class 90	UL Construction Number 303	18	.032 Al	36	7/16 OSB
1.75" Snap Seam	Wind Uplift Class 60	UL Construction Number 253	18	24 CRS	60	Purlins 16 ga

\*\*All testing listed above is per the specific assembly shown. Any variance in said assembly will nullify the results and are not valid\*\*

## 2" Mechanical Lock Panel



- Architectural or structural standing seam panel.
- 2 inch rib height with integrated clip relief off-set.
- Gauges 22, 24, 26
- Panel Coverage from 8 to 24.5 inches.
- Specially designed clip for thermal movement.
- Applies over open purlin or solid substrate.

### FLORIDA PRODUCT APPROVAL

Designation	FPA #	Panel Profile	Material	Panel Width	Substrate
HVHZ	10240.2	2" Mech. Lock	Steel, 24ga	18" Nominal	Metal "B" Deck
HVHZ	10682.1	2" Mech. Lock	Alum., .032	18" Nominal	Metal "B" Deck
Non-HVHZ	9859.1	2" Mech. Lock	Steel, 24ga	16"	Open Framing

Panel	Type	Test Type	Width	Gauge	Fastener Spacing	Decking
2" Mechanical	Wind Uplift Class 90	UL Construction Number 610	12	24 CRS	48	Purlins 16 ga
2" Mechanical	Wind Uplift	ASTM 1592	16	24 CRS	36	Purlins 16 ga
2" Mechanical	Submersion	Dade Submersion	16	24 CRS	36	Purlins 16 ga